



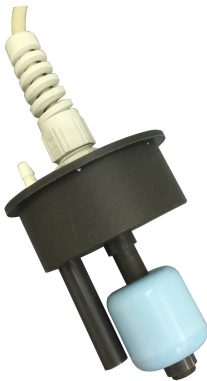
# BottleSys W

Technology For The Fluid  
Integrated Waste Handling Solution



Solution designed for waste management comes with integrated siphon tubes, high level alarming, vacuum connectors, inlet fittings and more if needed:

- ✓High level alarm integrated
- ✓Selection of bottle materials
- ✓Plug&Play solution
- ✓Custom design for your application
- ✓Reliability



*„...Designed to make your life easier...”*



**SPECIFIC**  
Designed for you



**MEASURABLE**  
Impacts your business



**ACHIEVABLE**  
From idea to success



**RELEVANT**  
Serves your application



**TIME-BOUND**  
Built on time

IDEATION

DESIGNING

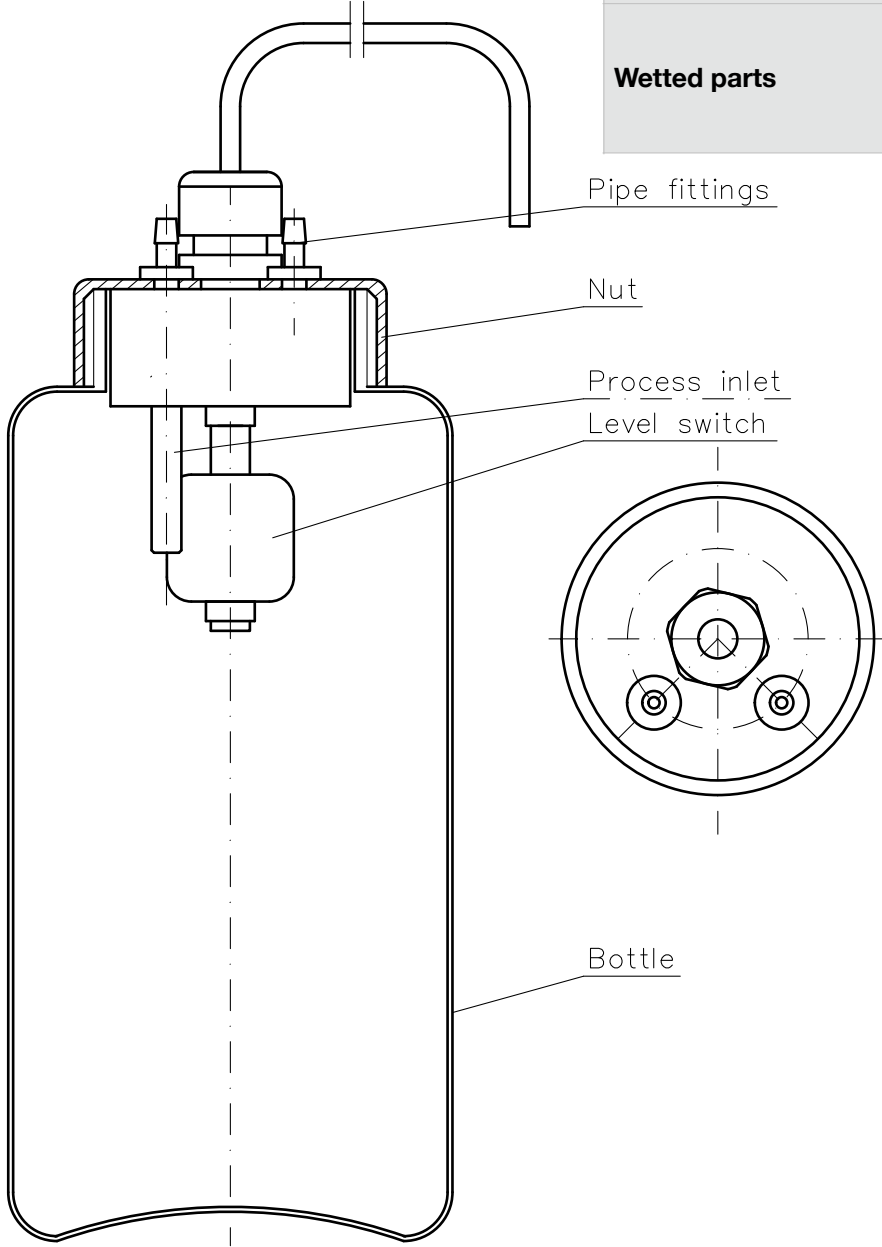
PROTOTYPING

TESTING

MANUFACTURING

**OEMSYS** smart system solutions  
OEMSYS Sp. z o.o.  
Fabryczna 1  
34-600 Limanowa  
Poland

Technical specification	
Operating temperature	0..60°C
Fluid volume	1-5 L
Bottle material	HDPE, PE, PP
Wetted parts	Custom (PFA, PTFE, PVDF, Nylon, HDPE, PP)



BottleSys W	-	Bottle volume	-	Bottle material	-	Cable length	-	High Level Alarm
		[L]		HD-HDPE PP-Polypropylene S-Special		[mm]		O-NO C-NC

Consult factory for more options. **S-Special** - Please provide more details.

\* NO/NC means output condition at NO LIQUID/Tank is empty

- IDEA
- DESIGN
- PROTOTYPING
- TESTING
- MANUFACTURING