

Having our FillGate I/O valve, when you need to test the system by implementing pressure, it's time to use TestGate solution:

- ✓ Designed to fit with FillGate
- ✓ Highly media compatible
- ✓ Low dead volume inside the head
- ✓ 28 bar leakage tested
- ✓ Locking system for safety



*„...test seems more important than build, to ensure we deliver real value...”*



**SPECIFIC**  
Designed for you



**MEASURABLE**  
Impacts your business



**ACHIEVABLE**  
From idea to success



**RELEVANT**  
Serves your application



**TIME-BOUND**  
Built on time

IDEATION

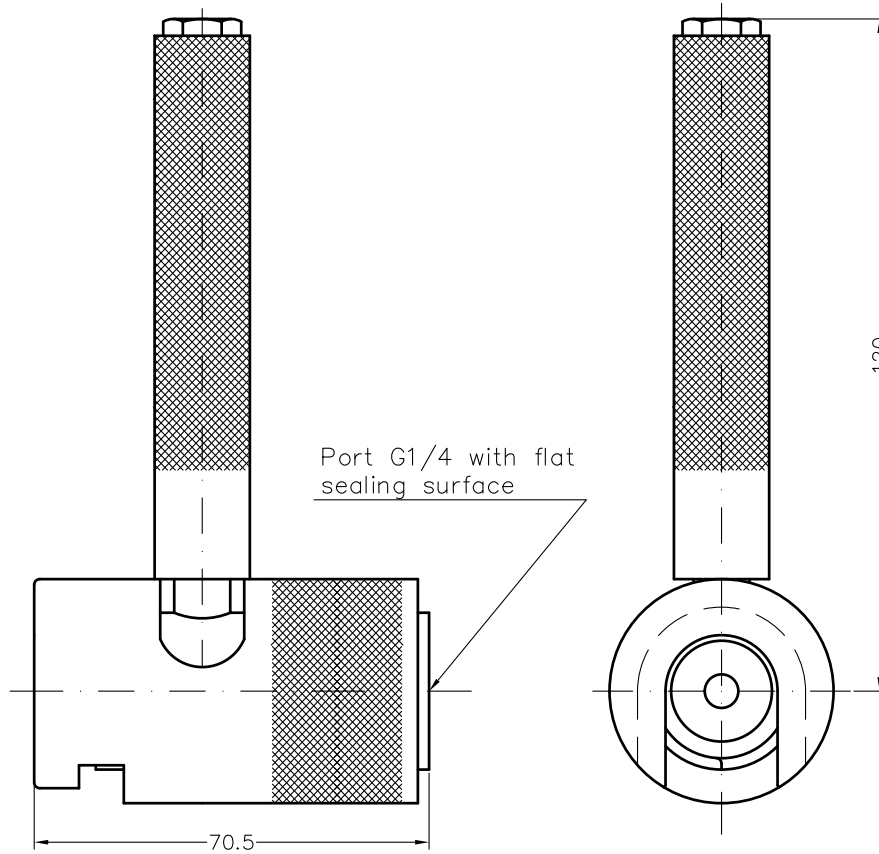
DESIGNING

PROTOTYPING

TESTING

MANUFACTURING

Technical specification	
Operating temperature	0..60°C
Max pressure	46 bar
Tightness	1*10 <sup>-5</sup> mbar*l/s
Connection port	G1/4
Material	1.7225
Sealing material	EPDM



**Part Numbers: 16220 - TestGate**

IDEA DESIGN PROTOTYPING TESTING MANUFACTURING

**OEMSYS** smart system solutions  
**OEMSYS Sp. z o.o.**  
 Fabryczna 1  
 34-600 Limanowa  
 Poland

DTS/0022 Rev.1